

Dell Wireless Charging Mat PM30W17

Important Information (Please Read Before Use)

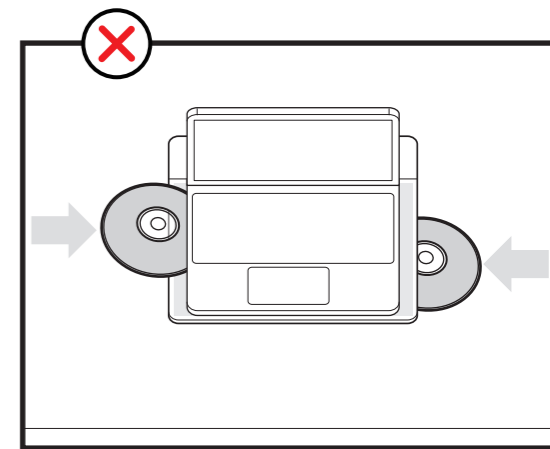


Notes and Cautions

- NOTE: A NOTE indicates important information that helps you make better use of your product.
- CAUTION: A CAUTION indicates potential damage to hardware or loss of data if instructions are not followed.

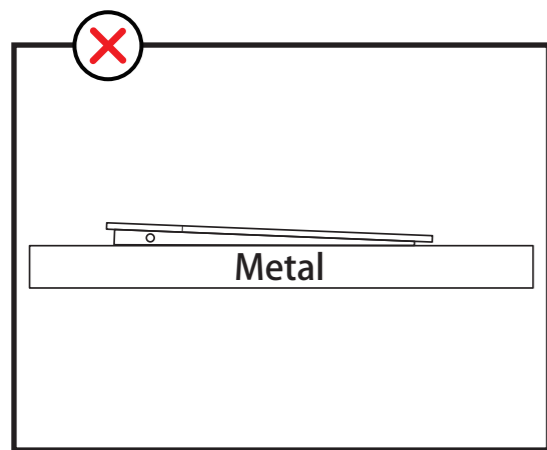
NOTE: The end-user is required to use the included AC power cable. This is a special shielded AC power cable that is required for EMI compliance.

CAUTION: Do not insert any objects between the keyboard and the wireless charging mat or between the wireless charging mat and the table. Specifically, avoid CD/DVDs, RFID cards/devices, credit cards and other thin metal objects. These devices may be damaged if they are placed as stated above.

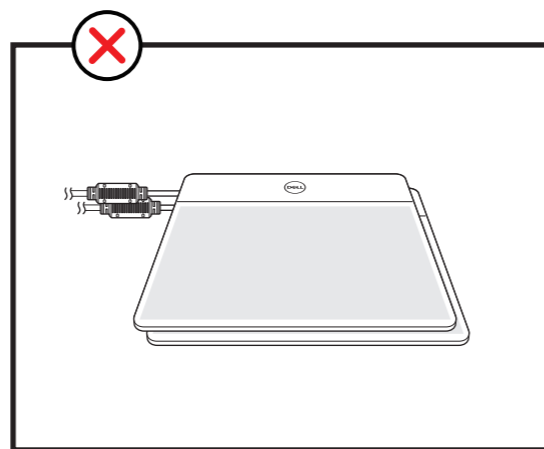


Dell.com/support
Dell.com/support/manuals
Dell.com/regulatory_compliance

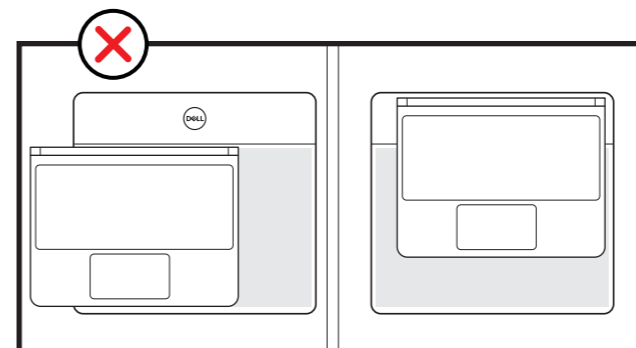
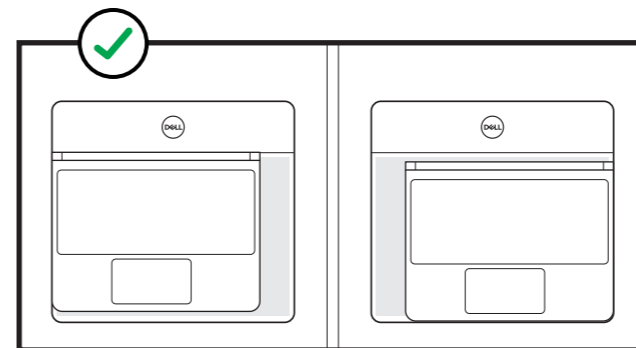
△ CAUTION: Charging mat should not be placed on top of a metal table. A minimum of 5 cm space is required between the bottom of the charging mat and any metal surface. Wireless charging will not work if the charging mat is kept on a metal table.



△ CAUTION: Powered or un-powered charging mat should not be stacked on top of a working / powered charging mat. This may damage the charging mats.



✎ NOTE: The keyboard should be positioned within the charging area for optimal charging efficiency and operation as shown below.



✎ NOTE: If advised by authorized Dell support personnel, please update your laptop with the latest BIOS to update the firmware of wireless charging mat.

Updating the Firmware of Wireless Charging Mat (via BIOS update).

1. Turn on the laptop (Do not connect the power adapter).
2. Turn on the Wireless Charging Mat and ensure that charging is working.

✎ NOTE: Do not remove the laptop from the wireless charging mat during the BIOS update process.

3. Connect and turn on the power adapter to the laptop.
4. Go to dell.com/support.
5. Click Product Support, enter the Service Tag of your laptop, and click Submit.

✎ NOTE: If you do not have the Service Tag, use the auto-detect feature or manually browse for your laptop model.

6. Click Drivers and downloads.
7. Scroll down the page and select BIOS from the Category drop-down list.

✎ NOTE: In the Change OS drop-down list, select the operating system installed on your computer.

8. Expand BIOS to view the available BIOS files.
9. Click Download File to download the latest version of the BIOS for your laptop.
10. Save the file and once the download is complete, navigate to the folder where you saved the BIOS update file.

11. Double-click the BIOS update file icon and follow the instructions on the screen.

✎ NOTE: Contact Dell technical support if you need further technical assistance.